

LEDELS- Your Lighting Solution

Series Name: M60 Waterproof
Serial No: LL-F110T8921X3A



Product Feature:

1. Power adaptor is unnecessary. Plug and play.
2. 160° viewing angle with even light distribution.
3. Lifespan up to 50000 hours.
4. Low light decay.
5. Energy efficiency 100 lm/Watt. Power saving.
6. Suitable for backlighting to channel letters.
7. Suitable for backlighting light box signs.
8. Suitable for storefront window, showcase and other accent lighting.
9. Weatherproof IP65 for outdoor.
10. Cost effective.

Items Numbers:

LL-F110T8921W3A **Pure White**
LL-F110T8921N3A **Warm White**



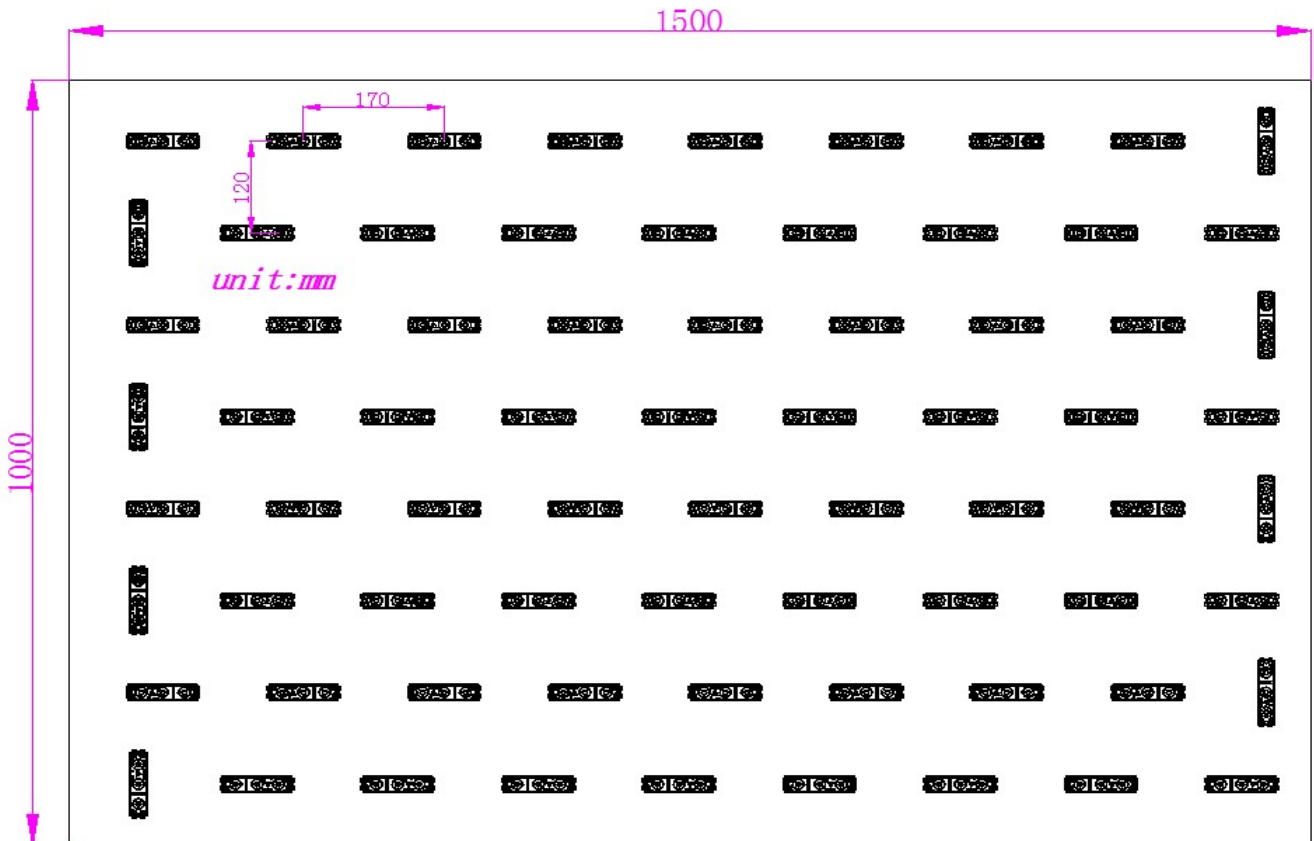
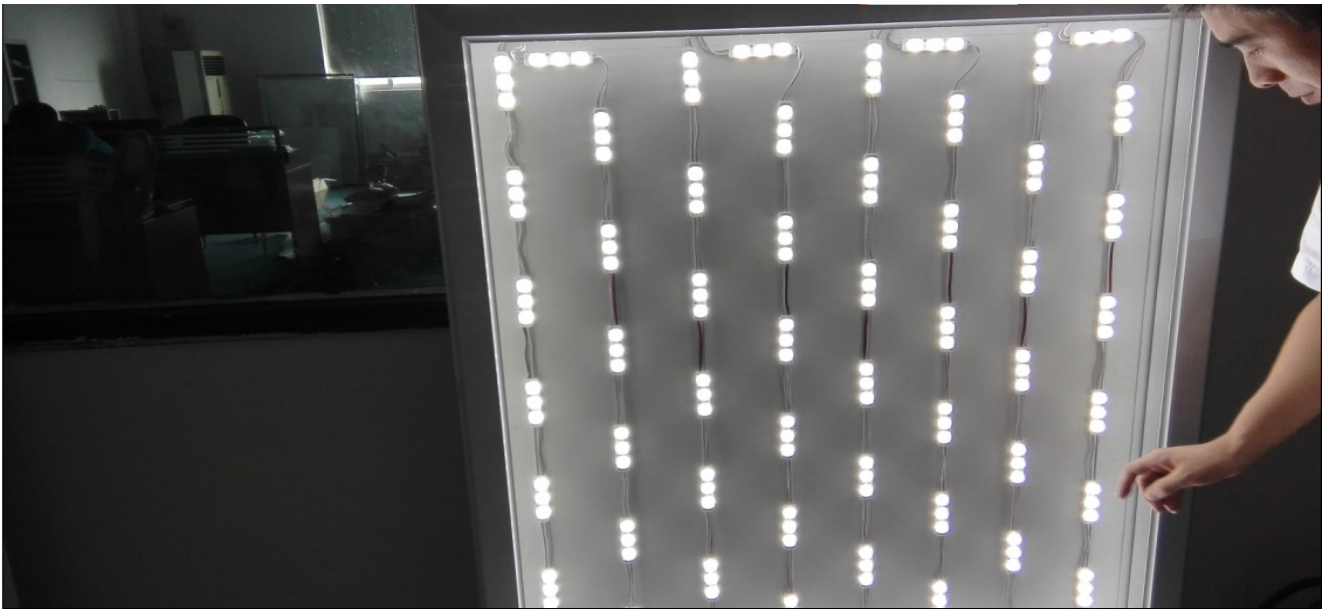
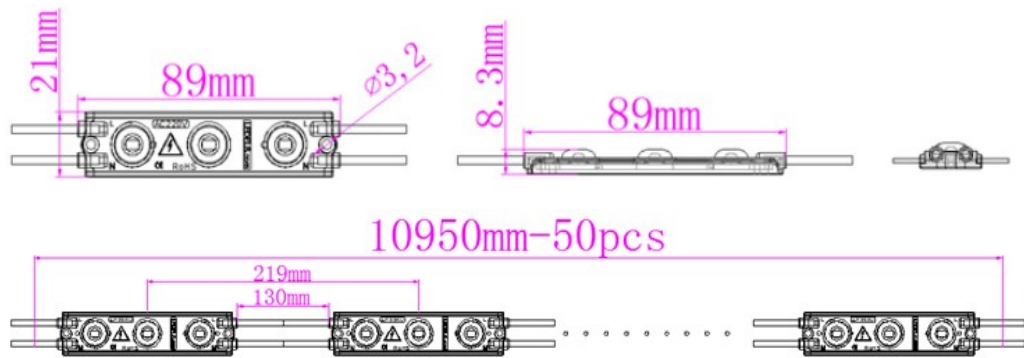
RoHS

Specifications

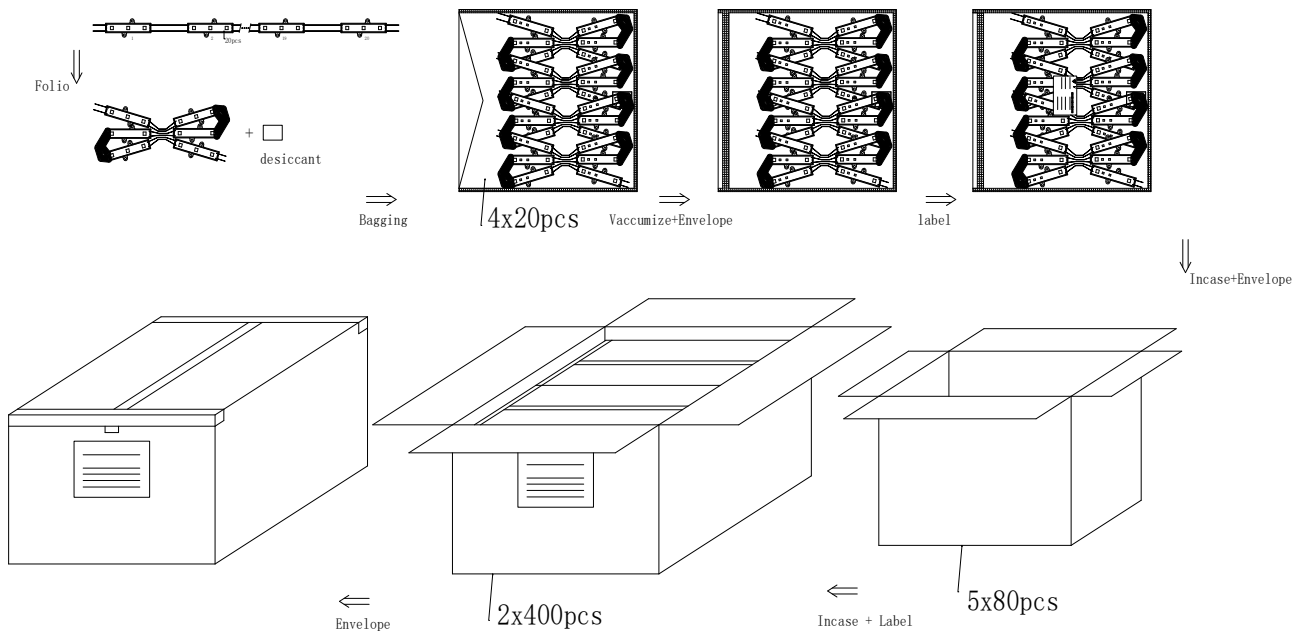
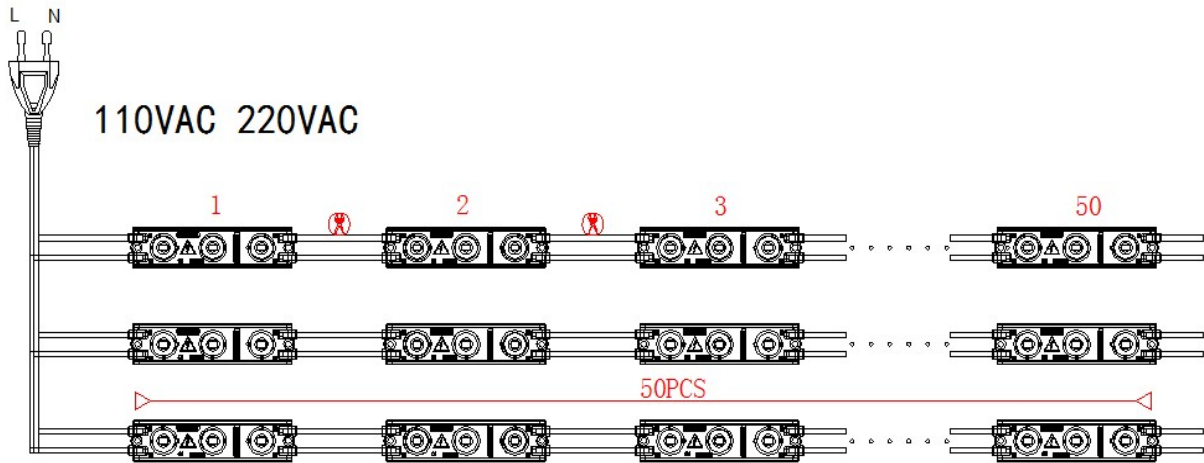
LED Type		SMD2835 Top LED			
Available Color		Pure White/ Warm White			
Angle(2θ _{1/2})		≥ 160°			
Color Rendering Index		80			
Luminous Flux (Lumen)					
Red Light	Green Light	Blue Light	Yellow Light	White Light	Warm White
				170 LM	150 LM
Color Temperature (Kelvin)					
Red Light	Green Light	Blue Light	Yellow Light	Pure White	Warm White
				6000~7000°K	2800~3500°K
LED Qty		3pcs			
Life Span		50,000Hours			
Electrical Parameter					
Operating Voltage		110VAC 50HZ / 60HZ			
Power Consumption		Maximum power consumption 1.60Watt			
Driving Method		Constant Current			
Q'ty in Serial Connection per Link		50 pcs			
Wires/Cables		20AWG UL approved cable. Gray: Positive, White: Negative. Cable length between is 130mm			
Standard Length In Serial Connection		50PCS			
Maximum Length In Serial Connection		≤50pcs			
Outer Parameter					
Shell/ housing material		ABS grease white			
Module dimension		89mm (L)*21mm (W)*8.3mm (T)			
Cable length between adjacent modules		130mm			
Suggested Way of Installation		Screw	Hot melt glue	Adhesive tape	
Quantity to backlight a sign box		38 pcs /m ² (depth of sign box:80mm)			
Double-sided adhesive tape		tape size: 80mm*18mm*0.2mm, foamed double-sided adhesive tape			
Environment Parameter					
Working Temperature		-20°C~50°C			
Storage Temperature		-40°C~60°C			
Ingress Protection		IP65			

LEDELS- Your Lighting Solution

Dimensions:



LEDELS- Your Lighting Solution



LEDELS- Your Lighting Solution

Cautions:

0. To be sured that it is not powered while the led modules are being wired/ arranged.

1. 60pcs of modules per chain and 1 chains in one plastic bag.
2. 14 bags (840 pcs of modules) in one cardboard carton.
3. Size of Cardboard Carton: 46*25*46*17 (cm).
4. Net Weight: 17.2Kg/1000PCS
- 5.Gross Weight :18.5kg /1000PCS