

# LEDELS- Your Lighting Solution

Series Name: M60 Waterproof  
 Serial No: LL-F220T8921X3A



## Product Feature:

1. Power adaptor is unnecessary. Plug and play.
2. 160° viewing angle with even light distribution.
3. Lifespan up to 50000 hours.
4. Low light decay.
5. Energy efficiency 100 lm/Watt. Power saving.
6. Suitable for backlighting to channel letters.
7. Suitable for backlighting light box signs.
8. Suitable for storefront window, showcase and other accent lighting.
9. Weatherproof IP65 for outdoor.
10. Cost effective.

## Items Numbers:

LL-F220T8921W3A Pure White  
 LL-F220T8921N3A Warm White



RoHS

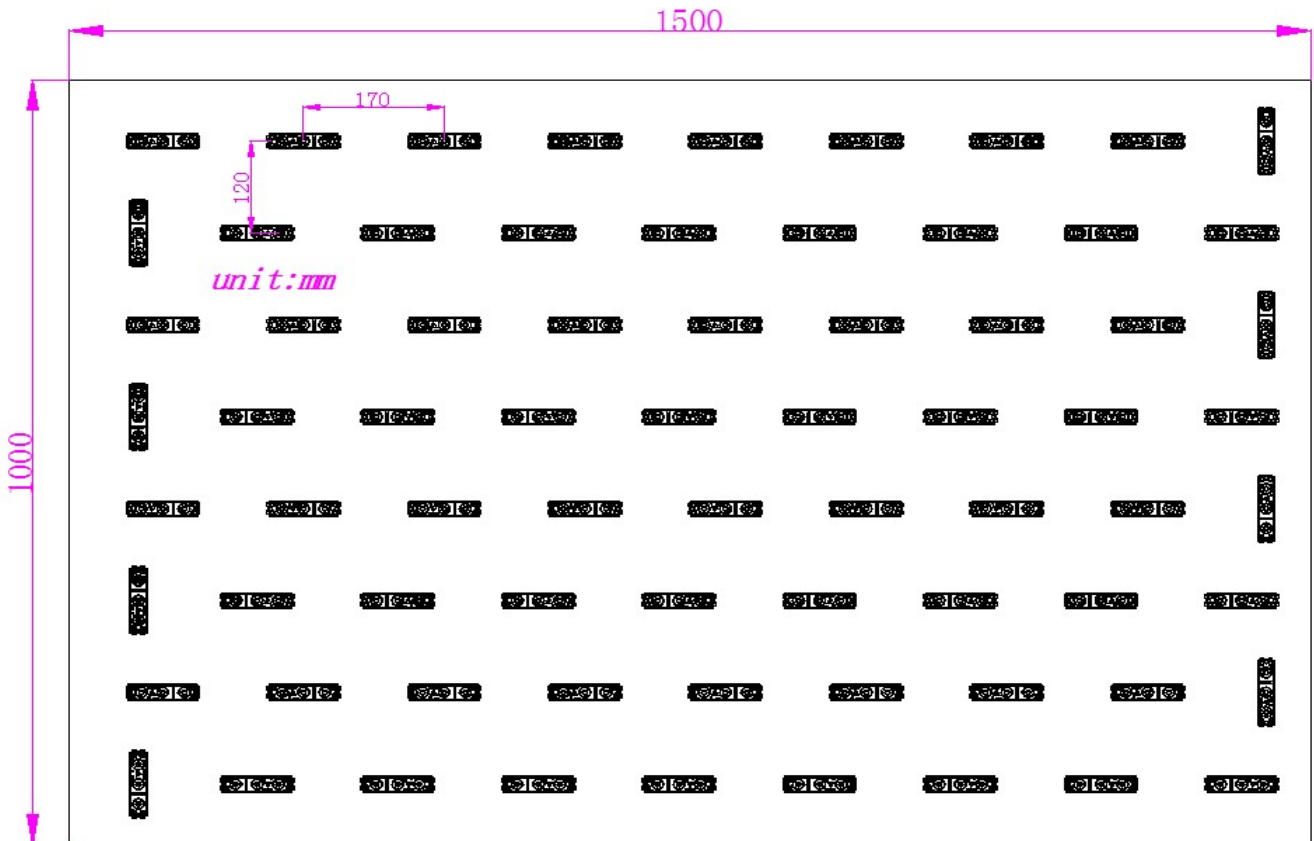
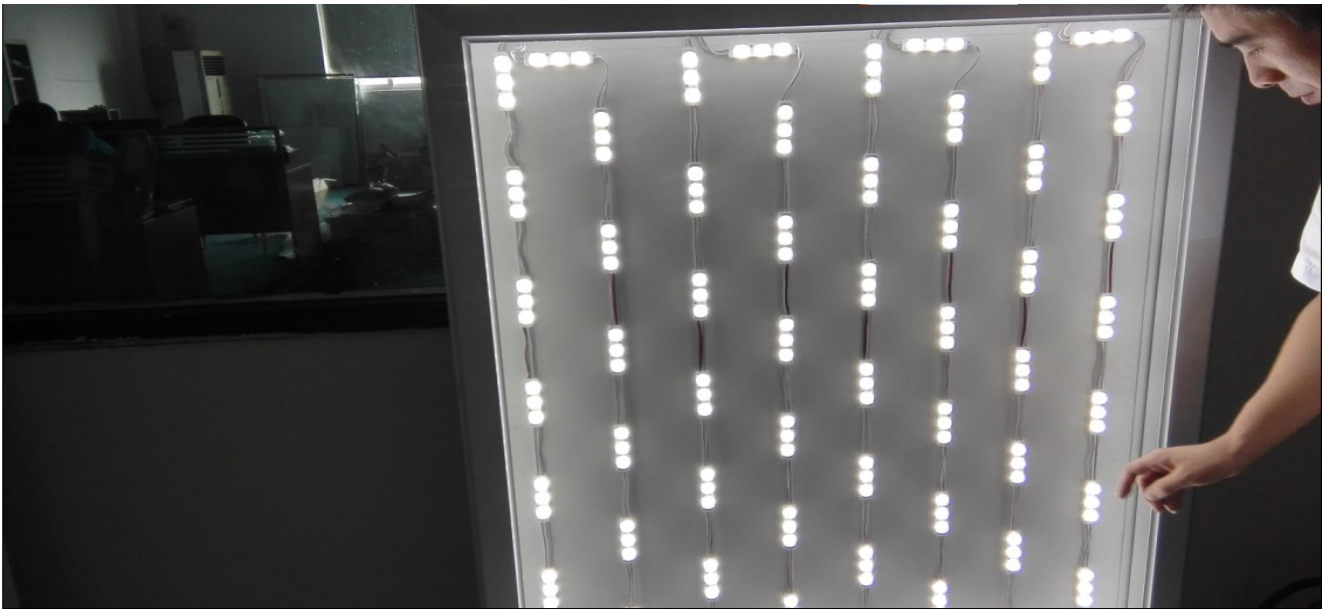
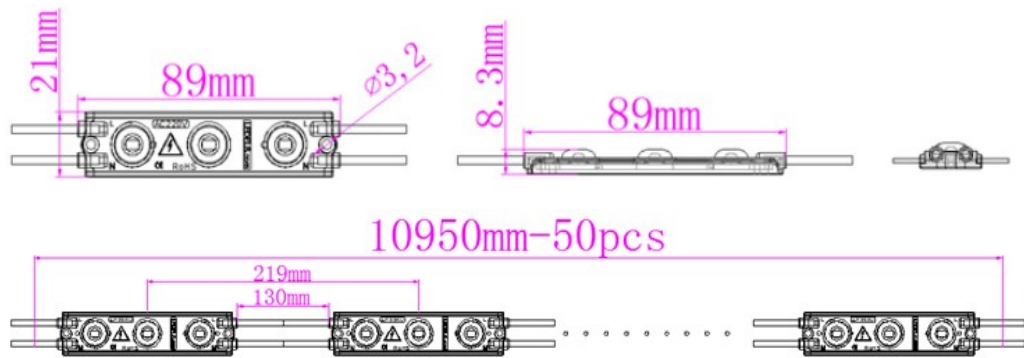


## Specifications

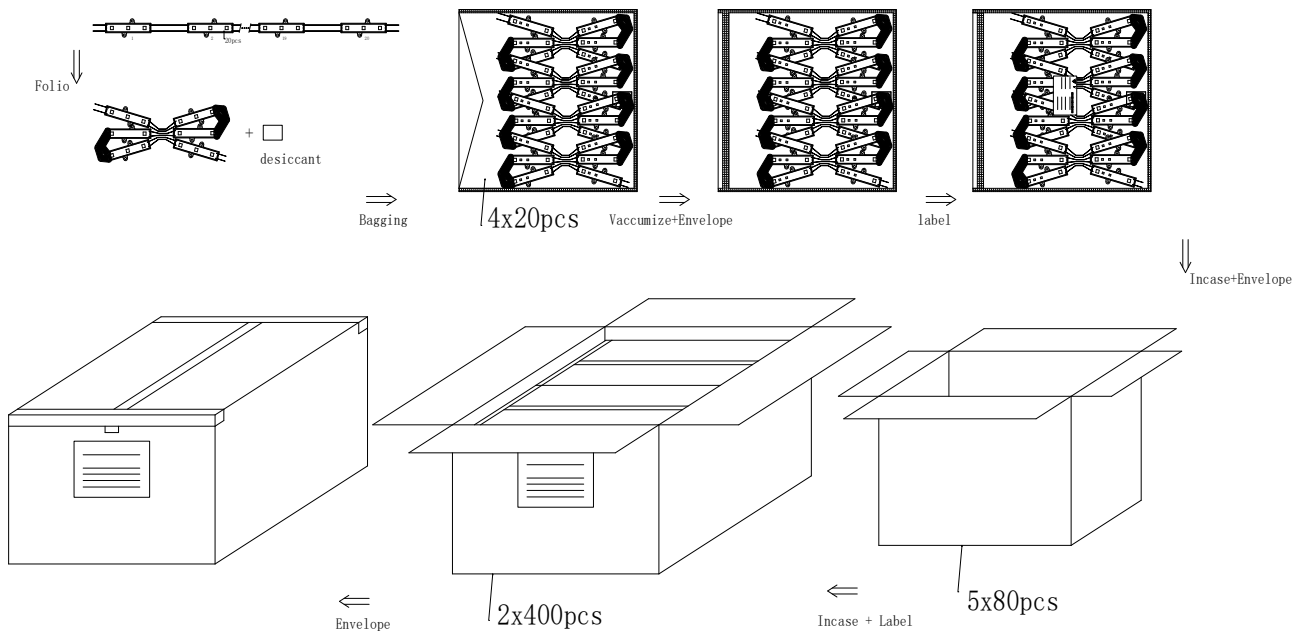
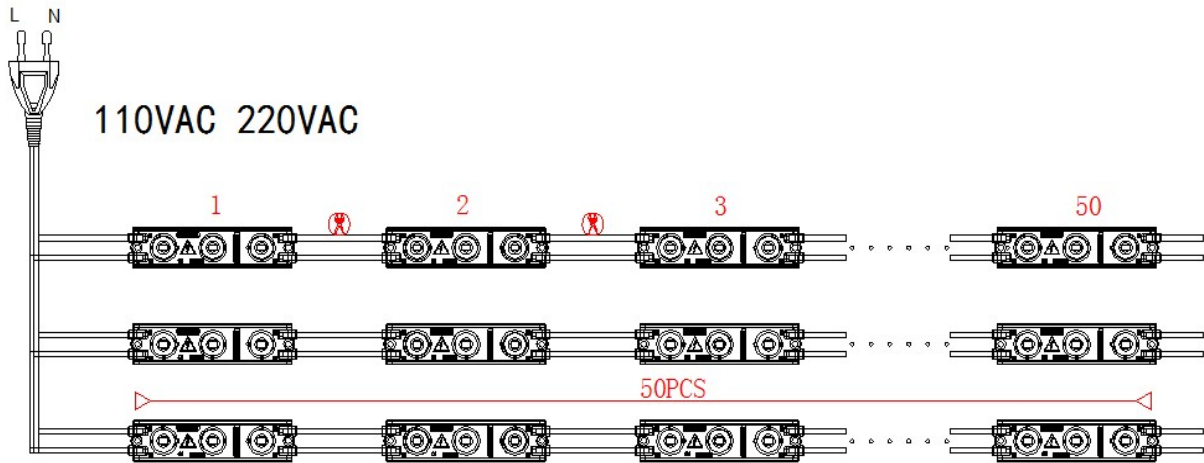
LED Type		SMD2835 Top LED			
Available Color		Pure White/ Warm White			
Angle(2θ <sub>1/2</sub> )		≥ 160°			
Color Rendering Index		80			
<b>Luminous Flux (Lumen)</b>					
Red Light	Green Light	Blue Light	Yellow Light	White Light	Warm White
				170 LM	150 LM
<b>Color Temperature ( Kelvin )</b>					
Red Light	Green Light	Blue Light	Yellow Light	Pure White	Warm White
				6000~7000°K	2800~3500°K
LED Qty		3pcs			
Life Span		50,000Hours			
<b>Electrical Parameter</b>					
Operating Voltage		220VAC 50HZ/60HZ			
Power Consumption		Maximum power consumption 1.60Watt			
Driving Method		<b>Constant Current</b>			
Q'ty in Serial Connection per Link		<b>50 pcs</b>			
Wires/Cables		20AWG UL approved cable. Gray: Positive, White: Negative. Cable length between is 130mm			
Standard Length In Serial Connection		50PCS			
Maximum Length In Serial Connection		≤50pcs			
<b>Outer Parameter</b>					
Shell/ housing material		ABS grease white			
Module dimension		89mm (L)*21mm (W)*8.3mm (T)			
Cable length between adjacent modules		130mm			
<b>Suggested Way of Installation</b>		<b>Screw</b>	<b>Hot melt glue</b>	<b>Adhesive tape</b>	
<b>Quantity to backlight a sign box</b>		38 pcs /m <sup>2</sup> (depth of sign box:80mm)			
Double-sided adhesive tape		tape size: 80mm*18mm*0.2mm, foamed double-sided adhesive tape			
<b>Environment Parameter</b>					
Working Temperature		-20°C~50°C			
Storage Temperature		-40°C~60°C			
Ingress Protection		<b>IP65</b>			

# LEDELS- Your Lighting Solution

Dimensions:



# LEDELS- Your Lighting Solution



# LEDELS- Your Lighting Solution

## Cautions:

0. To be sured that it is not powered while the led modules are being wired/ arranged.

1. 60pcs of modules per chain and 1 chains in one plastic bag.
2. 14 bags ( 840 pcs of modules) in one cardboard carton.
3. Size of Cardboard Carton: 46\*25\*46\*17 (cm).
4. Net Weight: 17.2Kg/1000PCS
- 5.Gross Weight :18.5kg /1000PCS