

# LEDELS- your signage lighting solution

Series Name: M60 Waterproof  
Item No: LL-F12T7815RGB3A



## Product Feature:

1. Samsung SMD5050 RGBW LED as light source, super flux.
2. Large viewing angle with even light shadow.
3. Lower light decay and long life span up to 100,000 hours.
4. Low cost against high performance, color changing like a rainbow.
5. Energy saving, environment-friendly.
6. Suitable for backlighting to channel letters and light boxes.
7. Suitable for accent lighting and decorative lighting.
8. Waterproof, IP65, ideal for outdoor use
9. Easy installation and maintenance free.

## Specification

LED Type: 5050 SMD RGBW LED  
 Emitting Color: Full color (Rainbow)  
 Angle(2θ<sub>1/2</sub>): ≥ 120°

Luminous Flux (lm)

Red Light	Green Light	Blue Light
1.5-2	4-4.8	1-1.9

Wavelength Scope (nm / K)

Red Light	Green Light	Blue Light
619~635	512~528	463~475

LED Qty: 3pcs  
 Life Span: 35,000H

## Electrical Parameter

Working Voltage: 12VDC  
 Power Consumption: Maximum 0.96Watt  
 Driving Method: constant voltage

## Wires & Serial connection per link

Wires: Yellow-VCC (common anode), R for Red, G for Green, B for Blue, W for White

Standard Length In Serial Connection: 20PCS  
 Maximum Length In Serial Connector: ≤25pcs

## Outer Parameter

Shell/ housing material: ABS grease white  
 Module dimension: 78mm (L)\*15mm (W)\*7mm (H)  
 PCB Color: White

## Way of installation

Screw: /  
 Double-sided adhesive tape: tape size: 75mm\*12mm\*0.2mm, foamed double-sided adhesive tape

## Environment Parameter

Working Temperature: -40°C --- 60°C  
 Storage Temperature: -50°C --- 80°C  
 IP Degree: IP65



RoHS

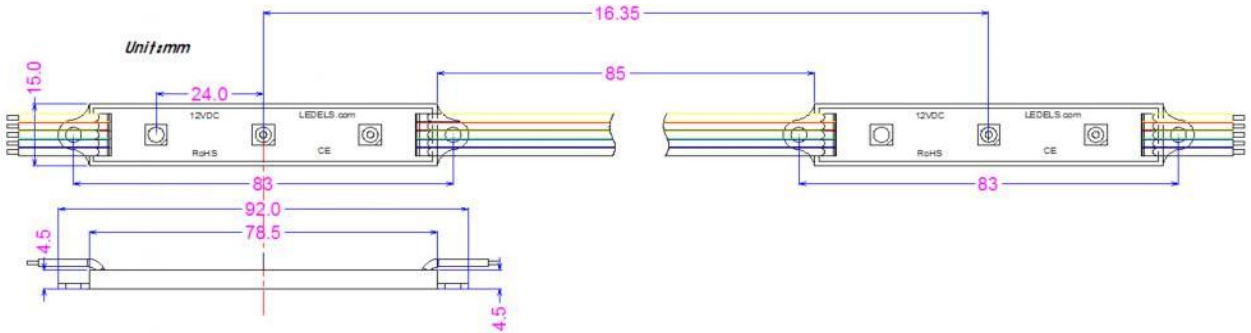
Caution !

ESD sensitive

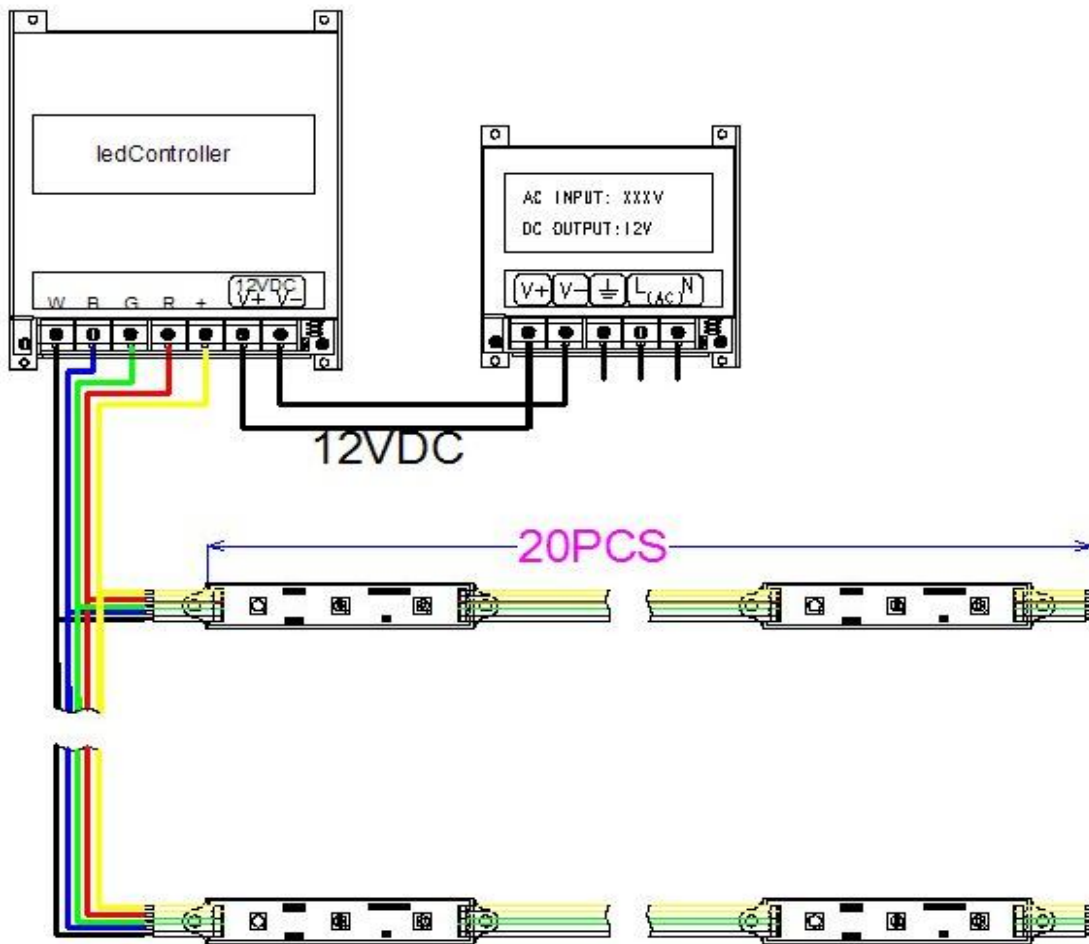


Module dimension (Unit: mm) :

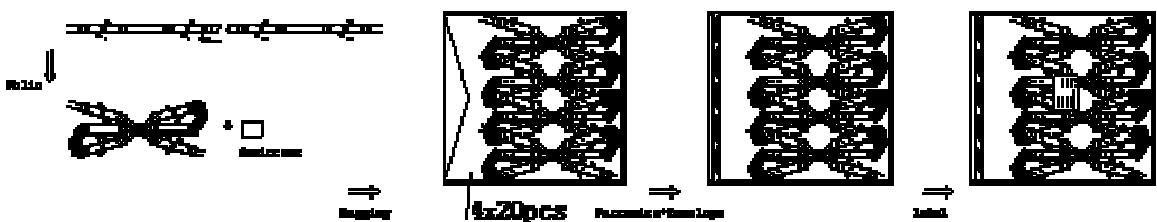
# LEDELS- your signage lighting solution



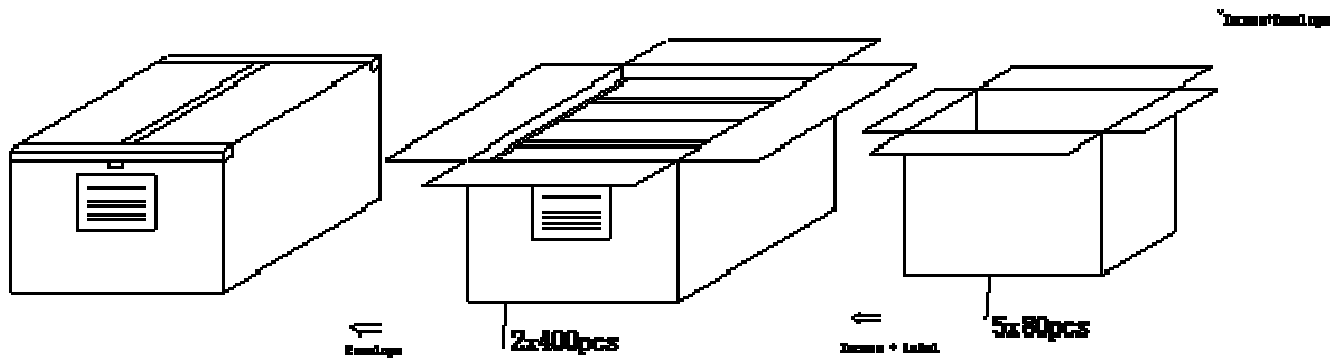
Connection Diagram (Unit: mm) :



Outer Package Dimension (Unit: mm) :



# LEDELS- your signage lighting solution



## Cautions:

1. 5 chains ( 100pcs of modules) in one aluminum -foil bag .
2. 6 bags ( 600 pcs of modules) in one small cardboard carton
3. One outer cardboard carton contains two small cartons . ( 1200 pcs in one outer carton)
4. Net Weight: 14.2Kg/1000PCS
5. Gross Weight : 15.6kg /1000PCS