

LEDELS- LED Signage Lighting Solution

Series Name: M100 Waterproof

Item No: LL-F12T7916W3C160



Product Feature:

- 1.5630SMD TopLED as light source from original Osram leds.
- 2.large viewing angle 160degrees with even light distribution.
3. lower light decay and long life span up to 35000 hours.
- 4.Low cost against high performance, good color uniformity.
- 5.Energy saving,environment-friendly.
- 6.Suitable for backlighting to channel letters and light boxes.
7. Suitable for accent lighting, edge lighting.
8. Waterproof, IP65, ideal for outdoor use
9. Easy installation and maintenance free.

Series Number:

LL-F12T7916W3C160

White

LL-F12T7916N3C160

Warm white

Specification

LED Type SMD5630 Top LED from Osram/Samsung

Available Color Pure White

Angle($2\theta_{1/2}$) $\geq 160^\circ$

Luminous Flux (lm/ LED)

Red Light	Green Light	Blue Light	Yellow Light	White Light	Warm White
				110~120 lm	

Wavelength Scope (nm / K)

Red Light	Green Light	Blue Light	Yellow Light	Pure White	Warm White
				6500-7000K	

LED Qty 3pcs

Life Span 35,000Hours

Electrical Parameter

Working Voltage 12VDC

Power Maximum power consumption 1.2Watt

Driving Method constant voltage

Wires & Serial connection per link

Wires 75mm long, 20AWG gray wire and white wires.
gray: positive, white: negative

Standard Length In Serial Connection 20PCS

Maximum Length In Serial Connection ≤ 25 pcs

Outer Parameter

Shell/ housing material ABS grease white

Module dimension 79mm (L)*16mm (W)*6.7mm (H)

PCB Color White

Way of installation

Screw /

Double-sided adhesive tape tape size: 75mm*12mm*0.2mm, foamed double-sided adhesive tape

Environment Parameter

Working Temperature $-20^\circ\text{C} \sim 60^\circ\text{C}$

Storage Temperature $-50^\circ\text{C} \sim 80^\circ\text{C}$

IP Degree **IP65**



RoHS

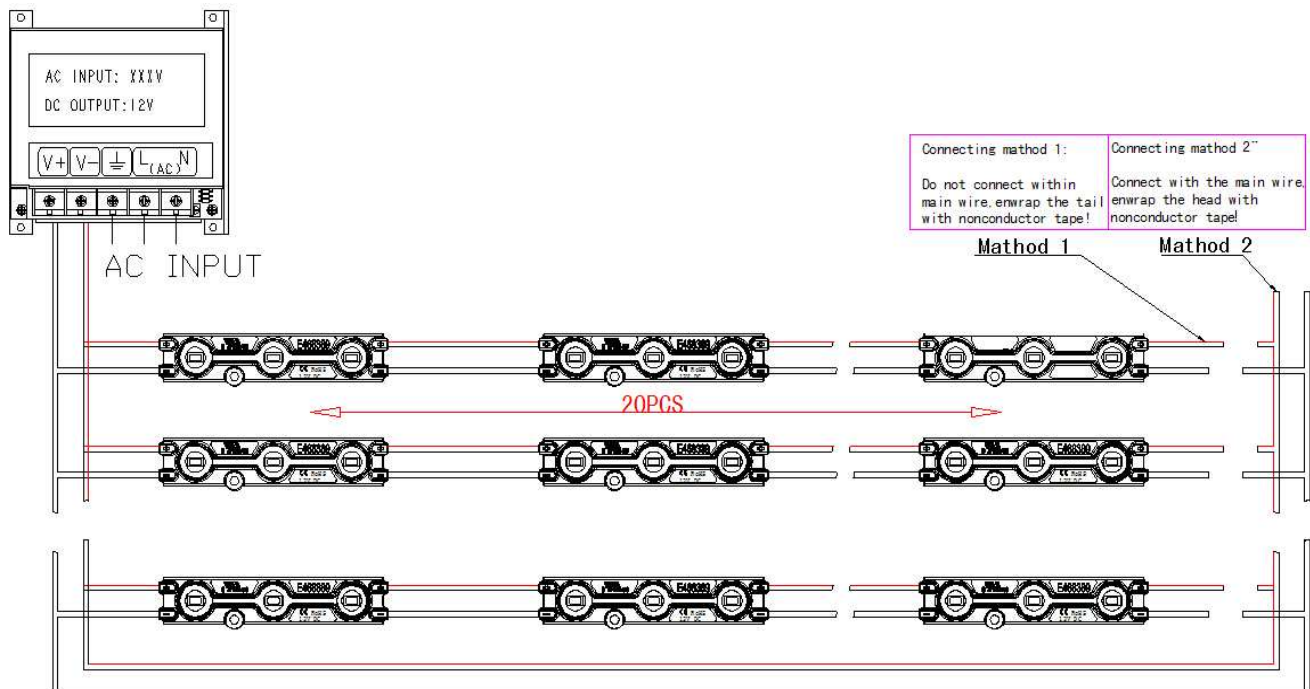
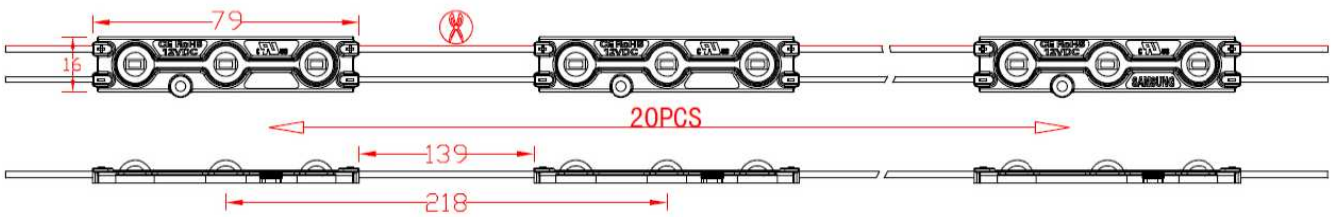
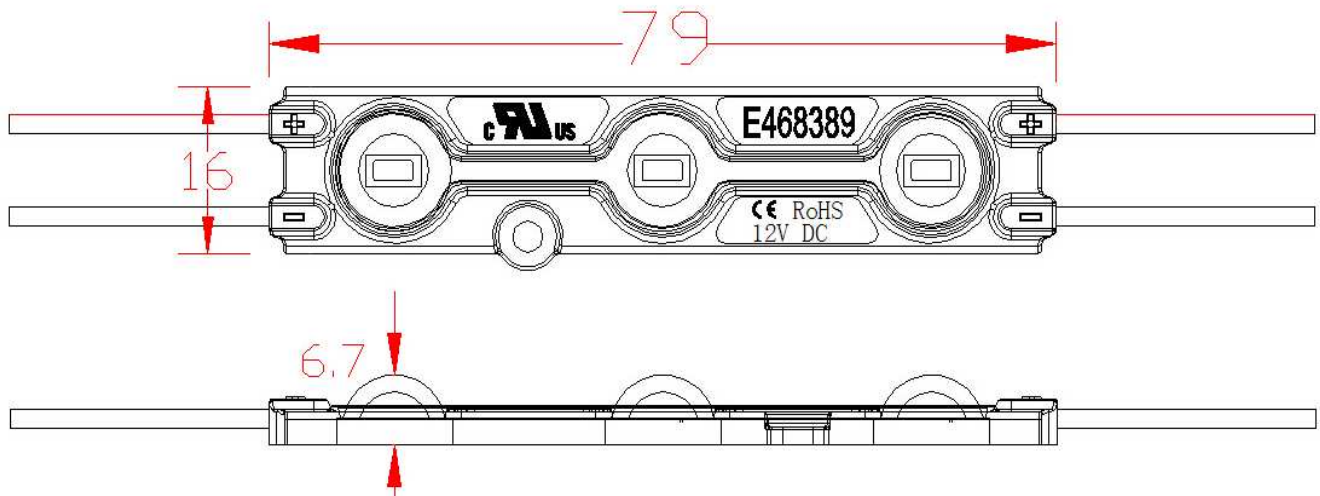


Backlighting to lightbox

Depth of lightbox	Quantity per m ²
100~120mm	40pcs
120~150mm	32pcs

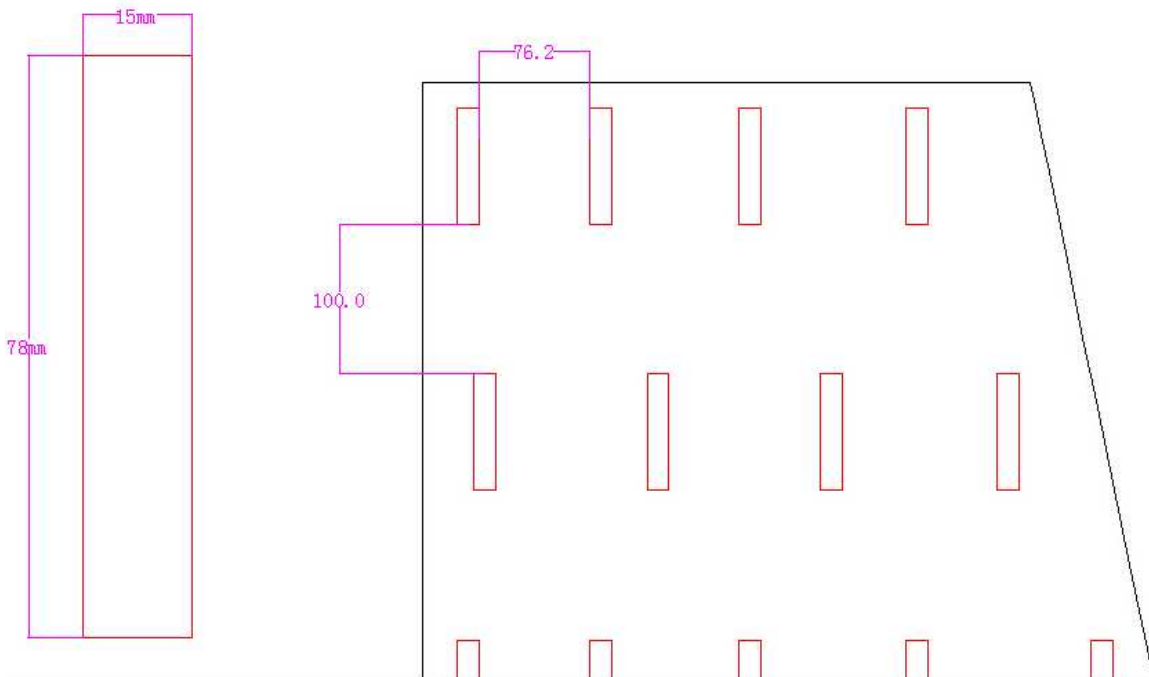
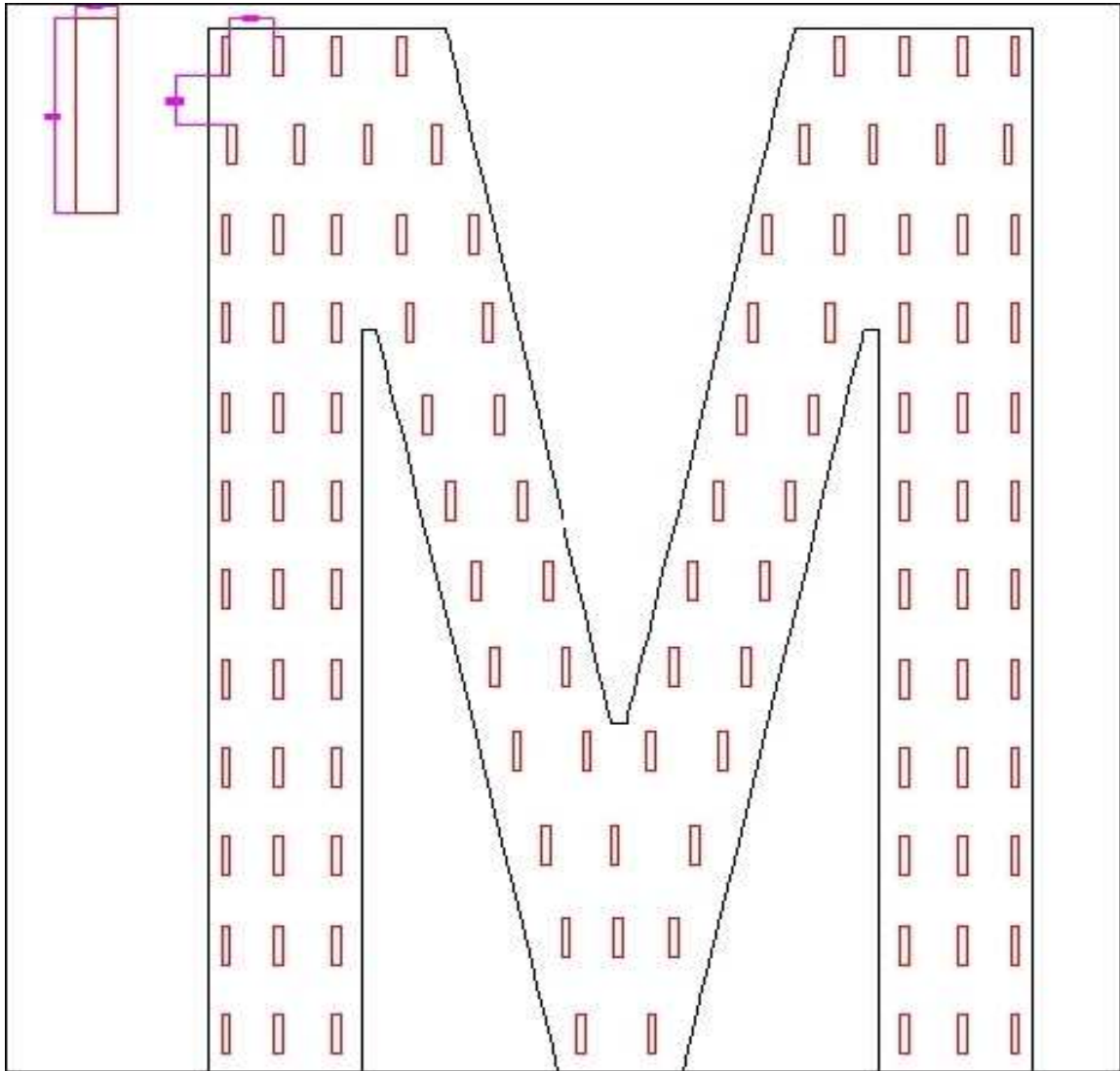
LEDELS- LED Signage Lighting Solution

Module dimension (Unit: mm) :



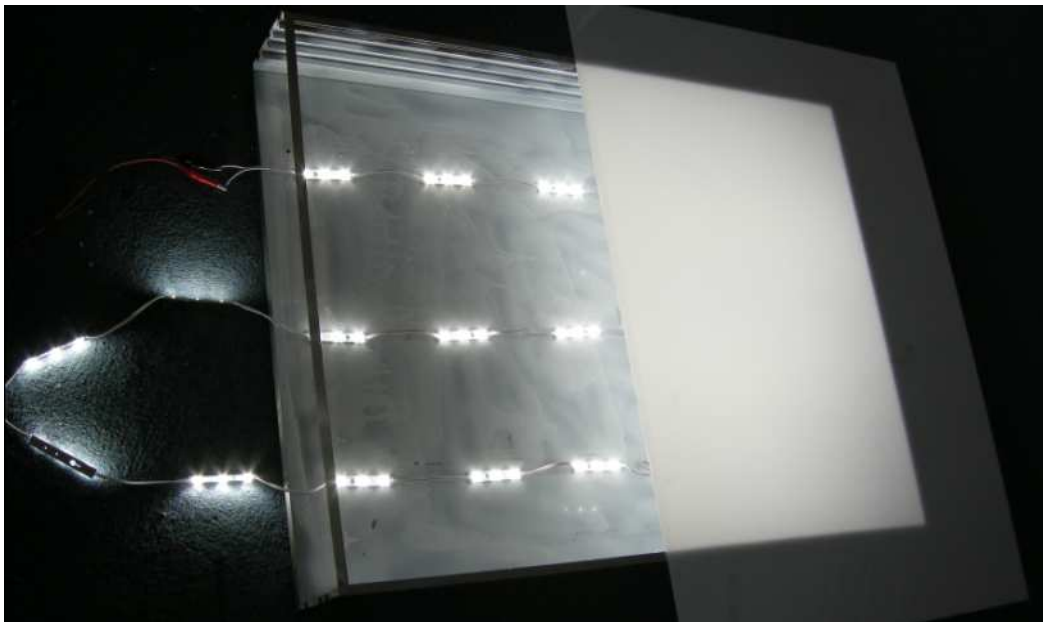
LEDELS- LED Signage Lighting Solution

Arrange of led modules inside channel letter "M"



LEDELS- LED Signage Lighting Solution

Arrange of led modules inside a box sign.

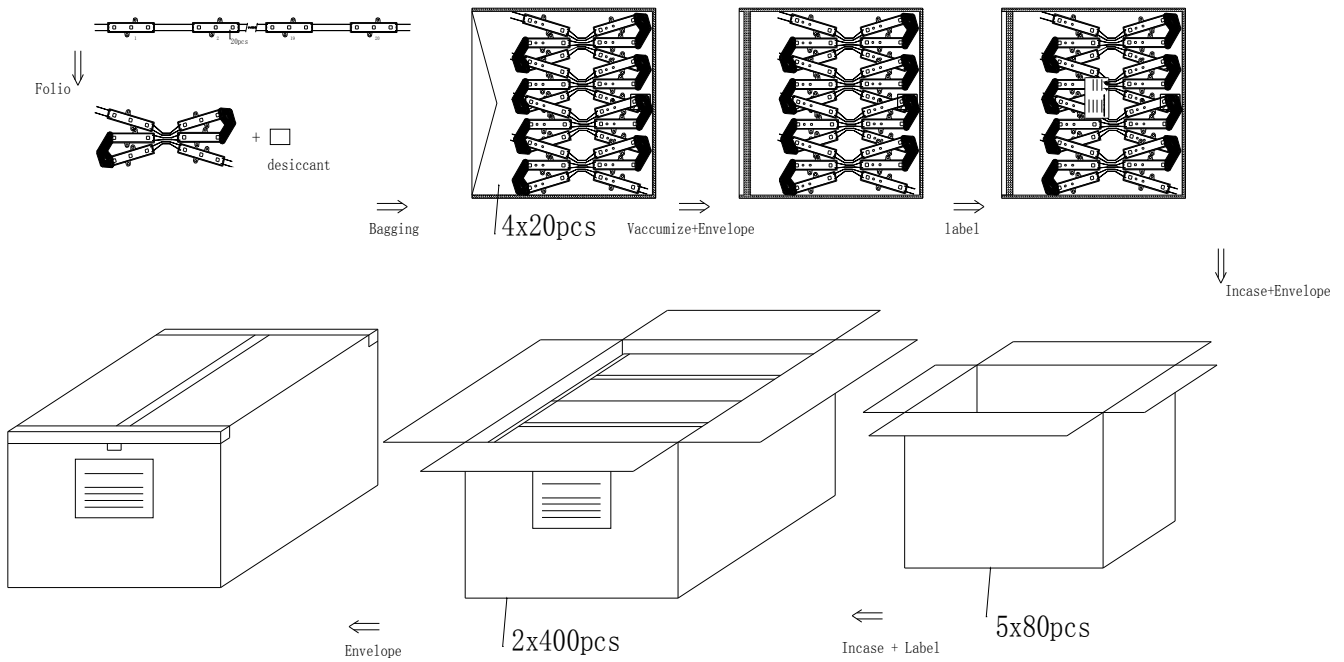


LEDELS- LED Signage Lighting Solution

Sample application case from a customer located in Germany



LEDELS- LED Signage Lighting Solution



Cautions:

1. 20pcs of modules per chain and 5 chains (100pcs of modules) in one plastic bag.
2. 17 bags (1700 pcs of modules) in one cardboard carton.
3. Size OF Cardboard Carton: 46*25*46*17 (cm).
4. Net Weight: 12.6Kg/1000PCS
5. Gross Weight :13.6kg /1000PCS