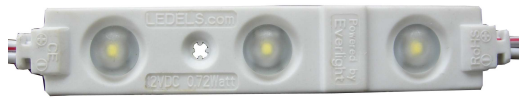


LEDELS- LED Signage Lighting Solution

Series Name: M60 Waterproof
Item No: LL-F12T8114W3A160



Product Feature:

1. 2835 SMD TopLED as light source from Everlight leds.
2. large viewing angle (160degrees) makes light distributed evenly.
3. lower light decay and long life span up to 35000 hours.
4. Low cost against high performance, good color uniformity.
5. Energy saving, environment-friendly.
6. Suitable for backlighting to channel letters and light boxes.
7. Suitable for accent lighting, edge lighting, cove lighting.
8. Waterproof, IP65, ideal for outdoor use. CE, RoHS compliant.
9. Maintenance free. Wide angle for even light distribution.
10. cUL file number: E468389.

Specification

Series Number:

LL-F12T8114R3A160	Red
LL-F12T8114G3A160	Green
LL-F12T8114B3A160	Blue
LL-F12T8114Y3A160	Yellow
LL-F12T8114W3A160	White
LL-F12T8114N3A160	Warm white

LED Type	SMD2835 Top LED, powered by Everlight
Available Color	Pure White
Angle($2\theta_{1/2}$)	$\geq 160^\circ$

Luminous Flux (lm/ LED)

Red Light	Green Light	Blue Light	Yellow Light	White Light	Warm White
				66 lumens	

Wavelength Scope (nm / K)

Red Light	Green Light	Blue Light	Yellow Light	Pure White	Warm White
				6000-7000K	2800~3500K

LED Qty	3pcs
Life Span	35,000Hours

Electrical Parameter

Working Voltage	12VDC
Power	Maximum power consumption 0.72Watt
Driving Method	constant voltage

Wires & Serial connection per link

Wires	100mm long, 20AWG gray wire and white wires. gray: positive, white: negative
-------	---

Standard Length In Serial Connection	20PCS
Maximum Length In Serial Connection	≤ 25 pcs

Outer Parameter

Shell/ housing material	ABS grease white, Aluminium base
Module dimension	81mm (L)*14mm (W)*7.3mm (H)
PCB Color	White Aluminium

Way of installation

Screw	/
Double-sided adhesive tape	tape size: 60mm*12mm*0.2mm, foamed double-sided adhesive tape

Environment Parameter

Working Temperature	-40℃~60℃
Storage Temperature	-50℃~80℃
IP Degree	IP65



RoHS

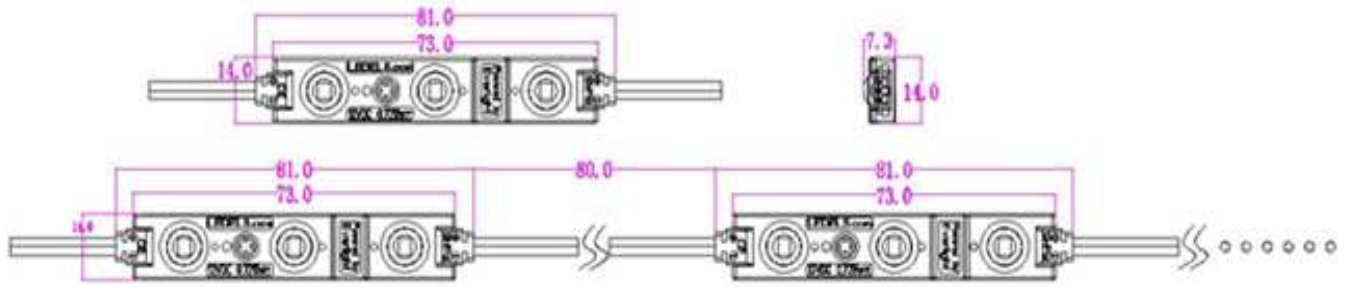


Backlighting to lightbox

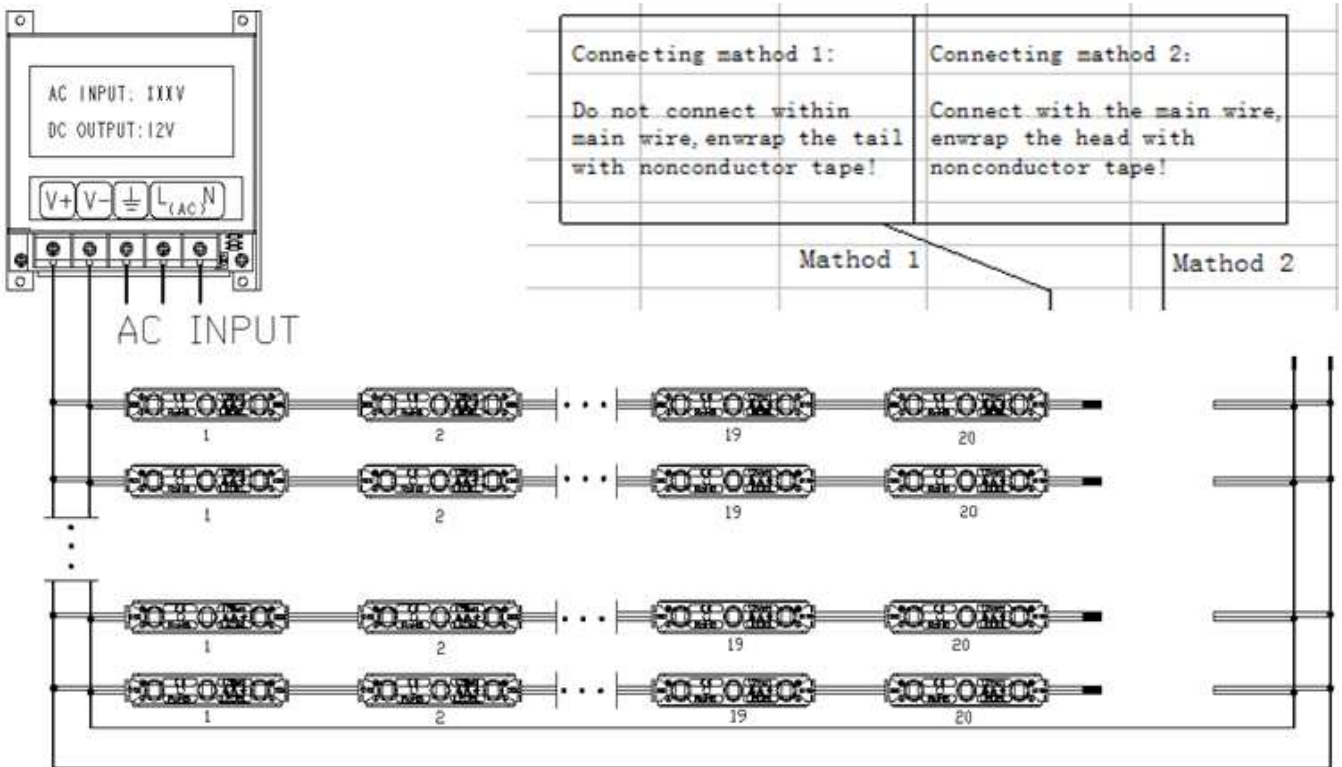
Depth of lightbox	Quantity per m ²
80~100mm	50pcs
100~120mm	35pcs

LEDELS- LED Signage Lighting Solution

Module dimension (Unit: mm) :



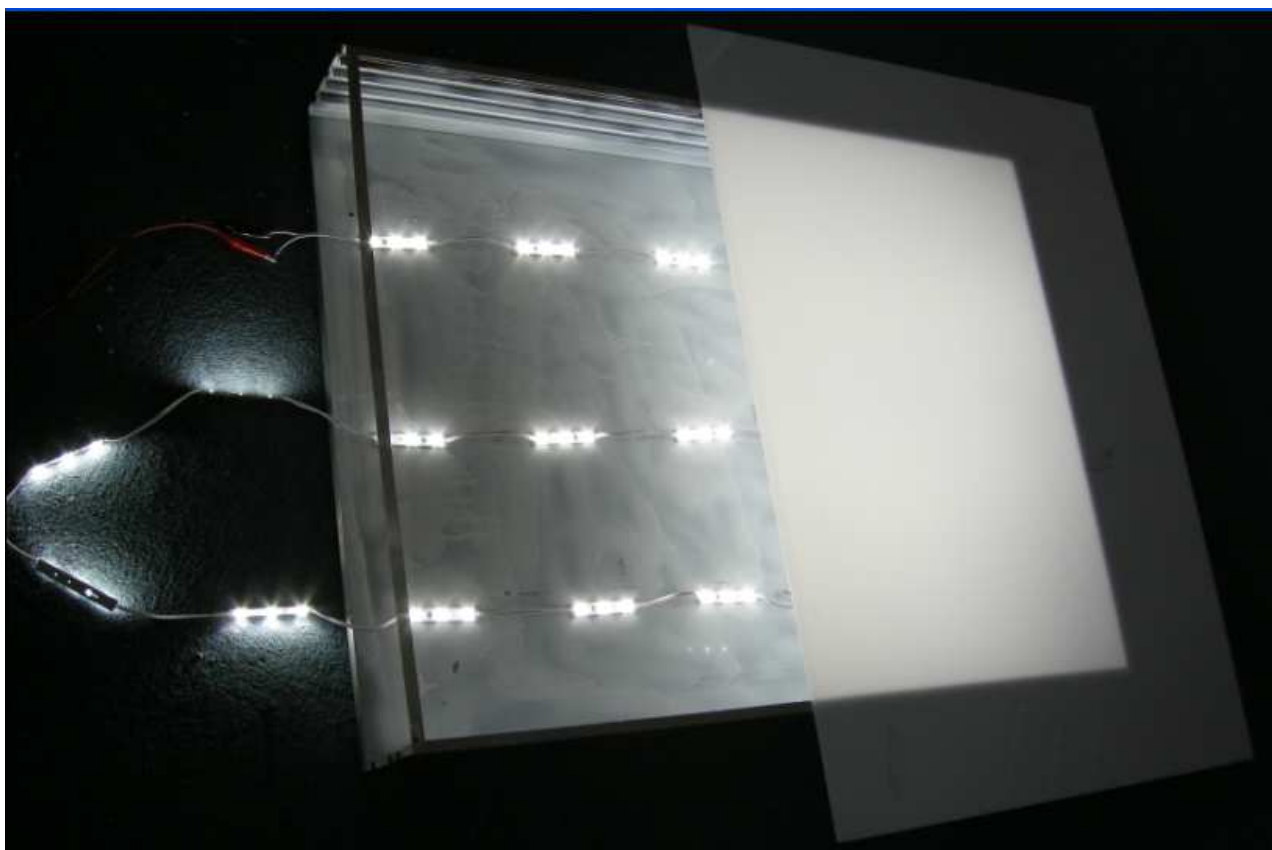
Connection Diagram (Unit: mm) :



Box size:
85cm*60cm*10
cm (depth)



LEDELS- LED Signage Lighting Solution



LEDELS- LED Signage Lighting Solution

Sample case of application

Size of box letter is 1250mm (H) * 15500mm (L) * 90mm (Thickness)

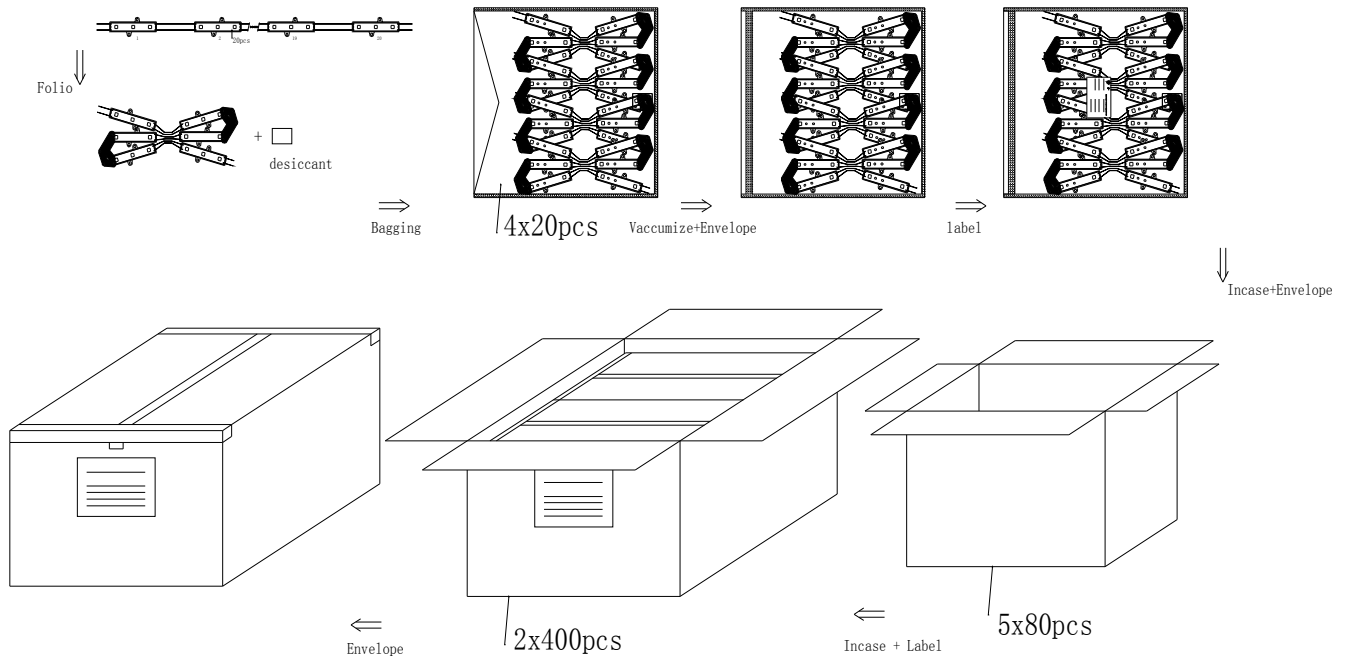


LEDELS- LED Signage Lighting Solution



LEDELS- LED Signage Lighting Solution

Outer Package Dimension (Unit: mm) :



Cautions:

1. 20pcs of modules per chain and 5 chains (100pcs of modules) in one plastic bag.
2. 15 bags (1500 pcs of modules) in one inner cardboard carton. 2 inner cartons inside an outer box (3000pcs).
3. Size OF Cardboard Carton: 46*25*46*17 (cm).
4. Net Weight: 12.2Kg/1000PCS
5. Gross Weight :12.8kg /1000PCS