

LEDEL- LED signage lighting solution

Series Name: M20 Waterproof
Item No: LL-F12T3807X3B



Product Feature:

- 1.SMD3528 TopLED as light source,super luminous flux.
- 2.large viewing angle with even light shadow.
3. lower light decay and long life span up to 50000 hours.
- 4.Low cost against high performance, good color uniformity.
- 5.Energy saving,environment-friendly.
- 6.Suitable for backlighting to channel letters and light boxes.
7. Suitable for accent lighting, edge lighting.
8. Waterproof, IP65, ideal for outdoor use
9. Easy installation and maintenance free.

Series Number:

LL-F12T3807R3B	Red
LL-F12T3807G3B	Green
LL-F12T3807B3B	Blue
LL-F12T3807Y3B	Yellow
LL-F12T3807W3B	White
LL-F12T3807C3B	Cold white

Specification

LED Type	SMD3528 Top LED
Available Color	R/G/B/Y/W/N
Angle(2θ _{1/2})	≥ 120°

Luminous Flux (lm)

Red Light	Green Light	Blue Light	Yello Light	White Light	Cold White
3.3	9	2.7	3	24	22

Wavelength Scope (nm / K)

Red Light	Green Light	Blue Light	Yellow Light	White Light	Cold White
619~635	512~528	463~475	584~595	6000~7000	9000~11000

LED Qty	3pcs
Life Span	35,000 Hours

Electrical Parameter

Working Voltage	12VDC
Power consumption	Maximum 0.24W
Driving Method	constant voltage

Wires & Serial connection per link

Lead Wires	AWG22 # grey&white wires,50mm between 2 adiecent module60mm at 2 ends, Grey=positive,White=negative wire
------------	---

Standard Length In Serial Connection	20PCS
Maximum Length In Serial Connector	≤25pcs

Outer Parameter

Shell/ housing material	ABS milky white
Module dimension	38mm (L)*7mm (W)*4.4mm (H)
PCB Color	White

Way of installation

Screw	/
Double-sided adhesive tape	tape size: 36mm*7mm*0.2mm, foamed double-sided adhesive tape

Environment Parameter

Working Temperature	-40℃ —— 60℃
Storage Temperature	-50℃ —— 80℃
IP Degree	IP65

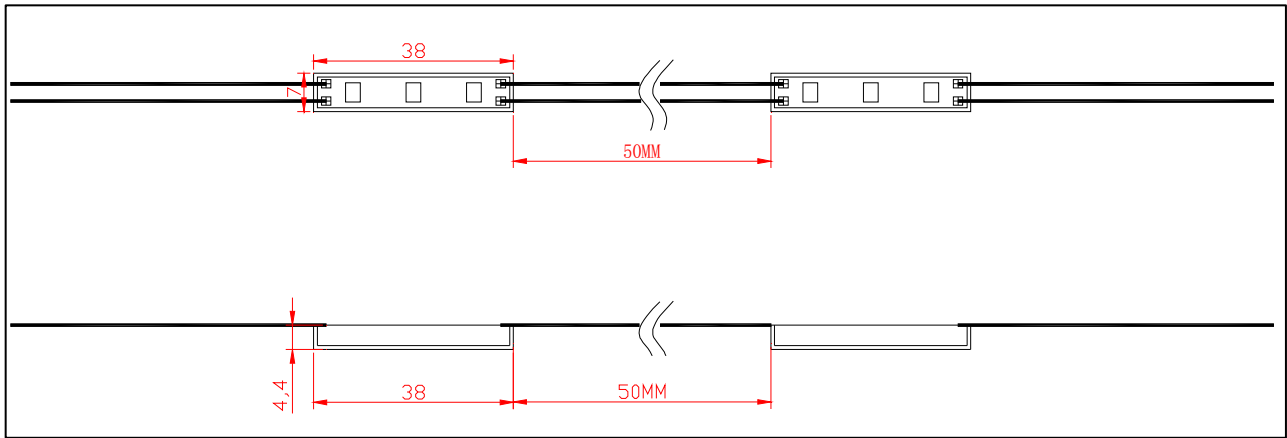


RoHS

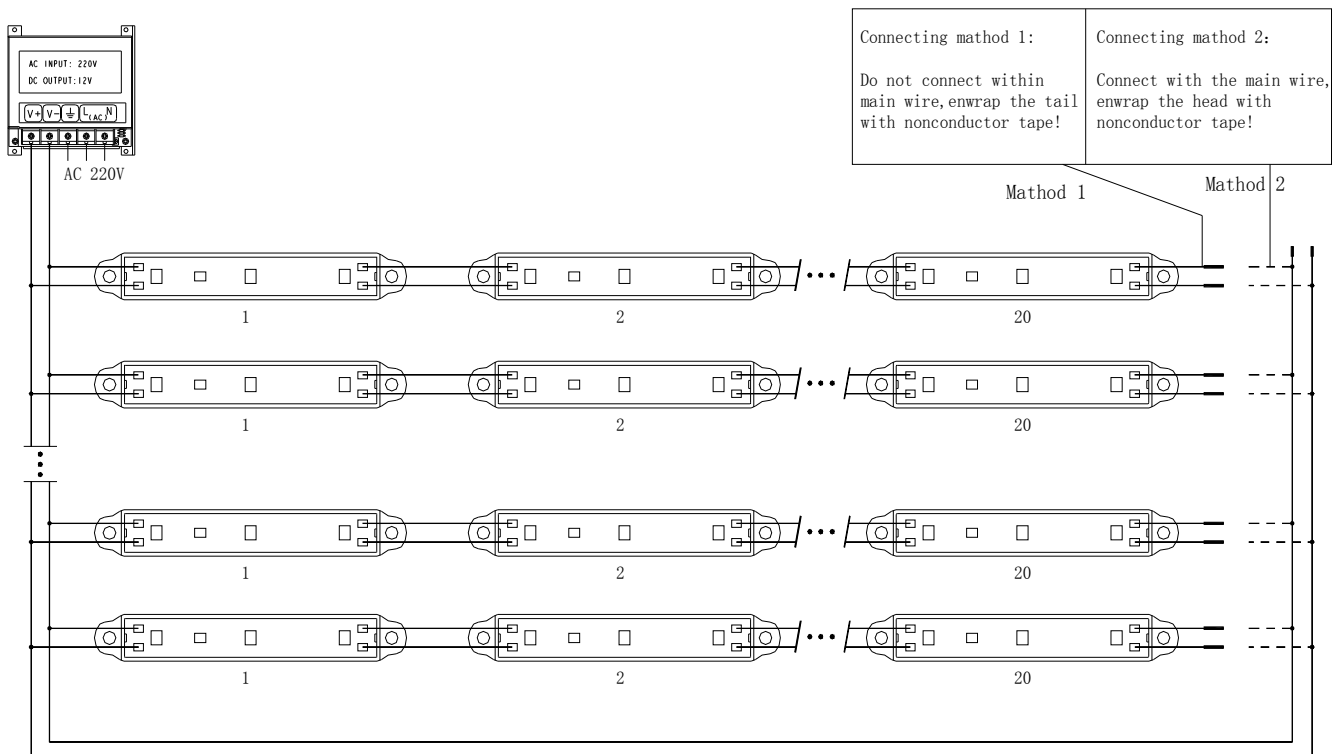


LEDEL- LED signage lighting solution

Module dimension (Unit: mm) :

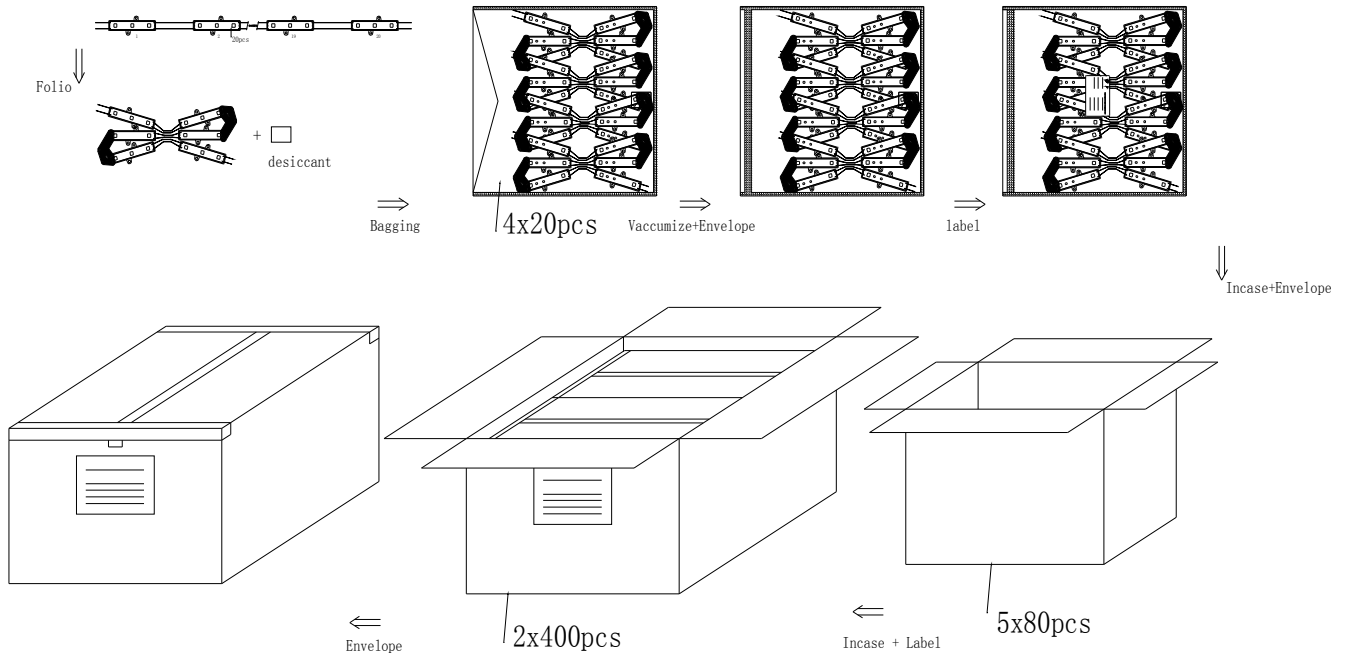


Connection Diagram (Unit: mm) :



LEDEL- LED signage lighting solution

Outer Package Dimension (Unit: mm) :



Cautions:

1. 5 chains (400pcs of modules) in one aluminum -foil bag .
2. 12 bags (5000 pcs of modules) in one small cardboard carton
3. One outer cardboard carton contains two small cartons . (1200 pcs in one outer carton)
4. Net Weight: 6.5Kg/1000PCS
5. Gross Weight : 7.2kg /1000PCS